



**Faster, Slimmer & more User-Friendly.
Improved in Every Aspect of Performance**



Standard Reach Robot Series for Various Application

Faster

Achieving the fastest movement speed in industry.
Shorten the cycle-time.

Slimmer

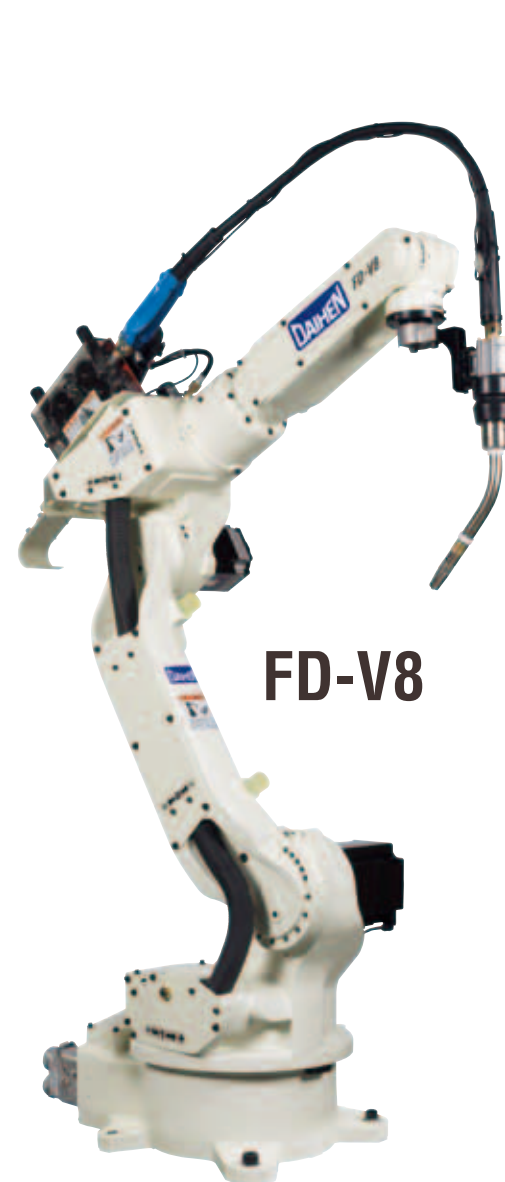
Slimmed lower arm and higher rotation radius can reduces the interference against fixture and workpiece.

User friendly operation

All cables for "D-Arc" are located inside of the arm.
Avoids interference at rear of the arm.

Powerful

Payload increased 30% to 8kg.
Various torches and sensors can be mounted with extra capacity.
Well suited for handling application.



FD-V8

8kgs capacity



FD-V8L

Long Reach with 8kgs capacity

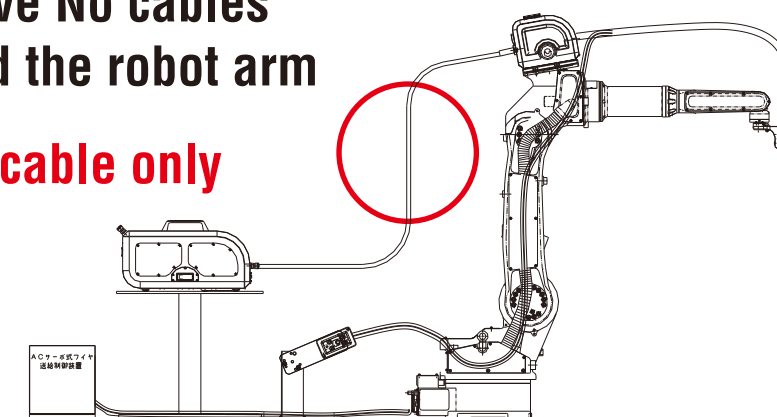


FD-V25

25kgs capacity

Remove No cables behind the robot arm

1 cable only



Cable fitting out



Mounting example of D-Arc torch and Laser tracking system.

Usage reference with D-Arc