



# Faster, Slimmer & More User-Friendly. Improved in Every Aspect of Performance



## Built-in Cable Type, Suitable for Arc Welding Purpose

### Faster

Achieving the fastest movement speed in industry.  
Shorten the cycle-time.

### Slimmer

The wrist motor is placed inside of the arm for minimizing the interference with fixtures and workpiece.

### More Durable

All cables are protectively stored, supporting for even Synchro-feed welding. No cables at the back of the arm to interfere with surroundings.

### Powerful

Payload increased to 6kg (1.5x improvement over previous model).  
Various sensors and torches can be mounted with extra capacity.  
Good for handling application.



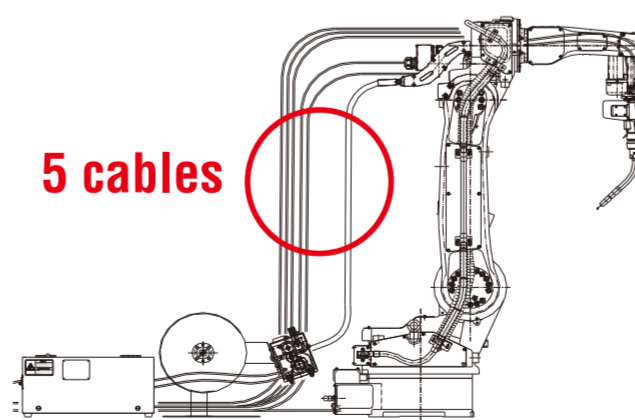
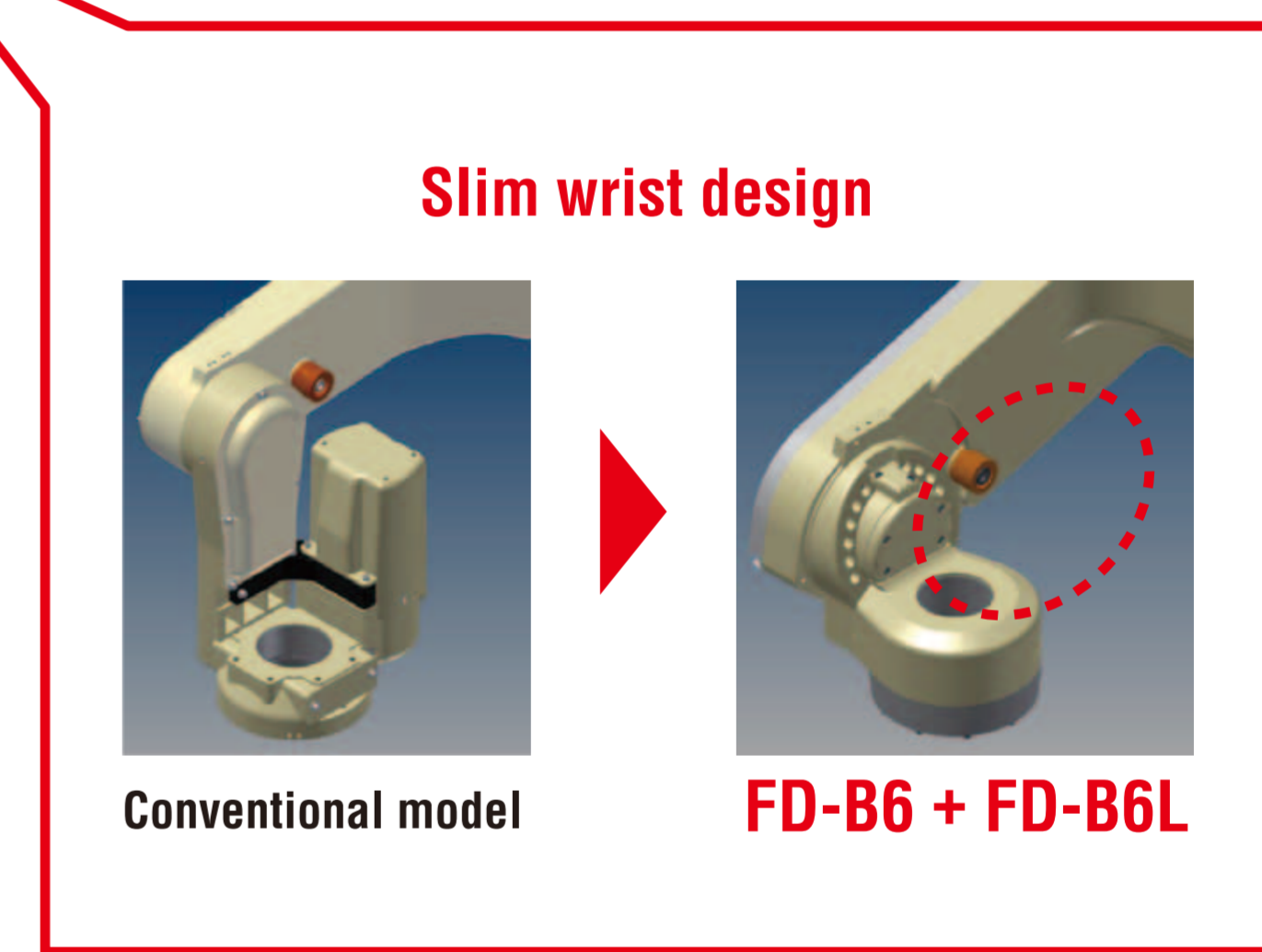
FD-B6

6kgs capacity



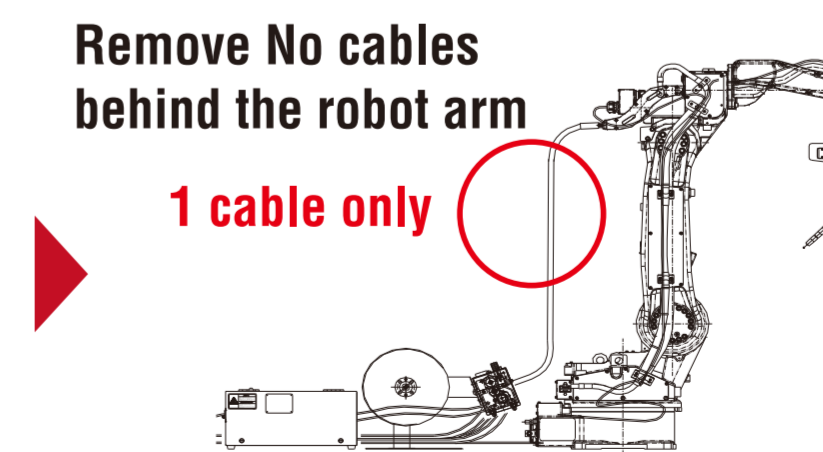
FD-B6L

Long Reach  
with 6kgs capacity



5 cables

Conventional model



Remove No cables  
behind the robot arm

1 cable only

FD-B6 + FD-B6L

Usage reference with Synchro-feed