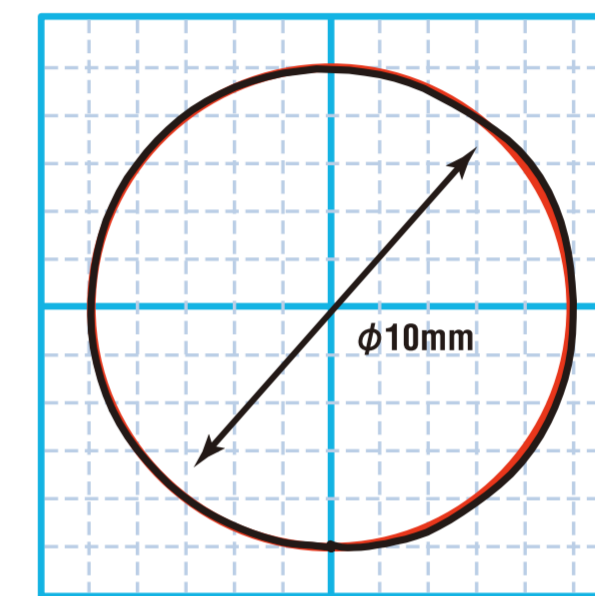
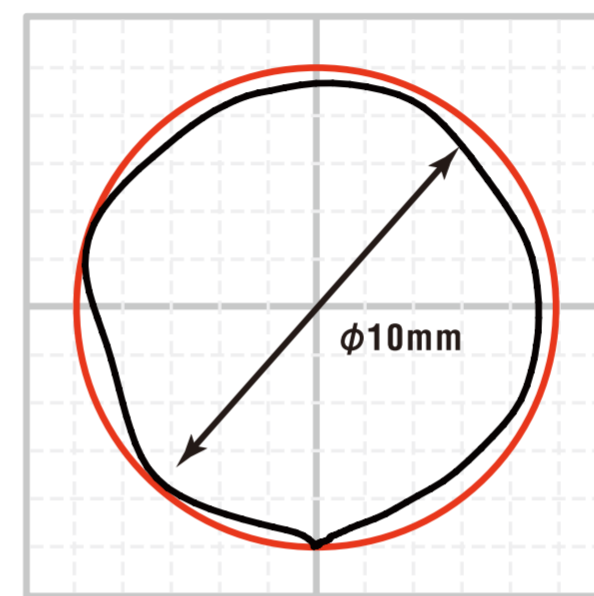


High Accuracy Robot FD-A20

Increasing of orbital accuracy

Increasing of orbital accuracy with wide range.
Even if small circle less than 10mm dia will be available with accurate.



— Pure circle
— Positioning achieved
Speed 200cm/min

Smooth Teaching by Laser Exclusive Processing Order

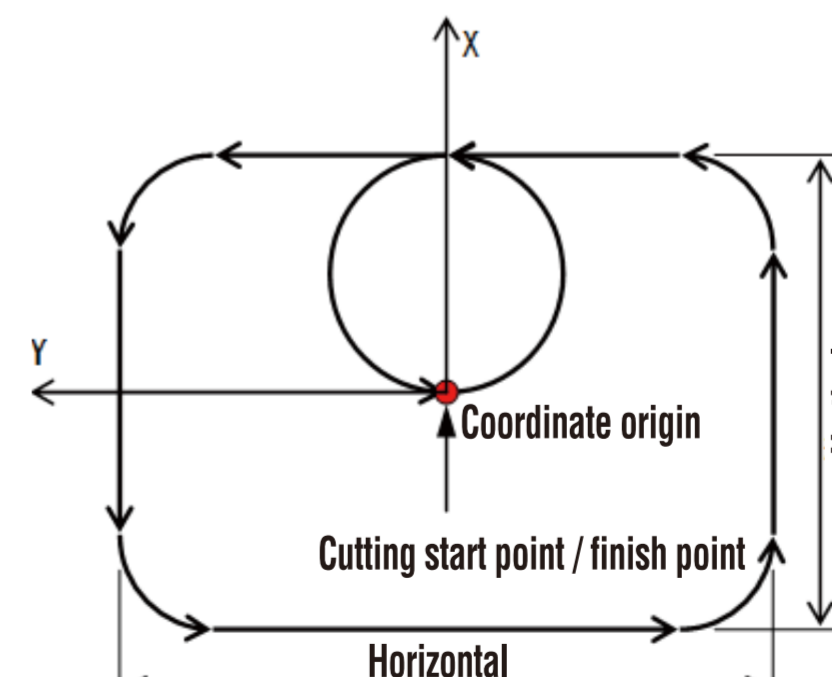
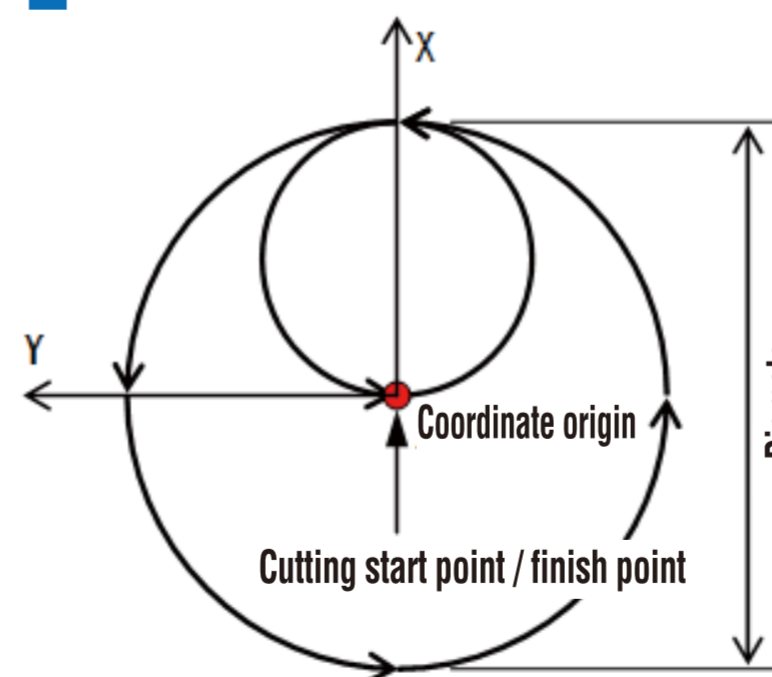
Easy teaching for complicated sequence with standard equipped exclusive order.

指示	プログラム	ステップ	2016/12/13 19:18	U1
	2102 [有]	13 STEPS 2	切断5-1	M1: A20
ロボットプログラム				
	50.0 %	JOINT A8 T3		
2	REM["5-1"]		FN99:コメ	
3	50.0 %	JOINT A8 T3		
4	500 cm/m LIN A8 T3			
5	LPS[L1, OFF, 00, 250W, 200cm/m, →]		FN706:レー	
6	500 cm/m LIN A8 T3			
7	500 cm/m LIN A8 T3			
8	500 cm/m LIN A8 T3			
9	500 cm/m LIN A8 T3			
10	LPE[L1, OFF, 100W, 1.0s, 2.0s, →]		FN707:レー	
11	DELAY[0.1]		FN50:タイ	
12	50.0 %	JOINT A8 T1		

Equipped Laser Exclusive Order

Automatic teaching of Cutting program

Basic cutting pattern program will be formed automatically
Available to Automatic programming for circular with teaching of Coordinate origin and setting of Radius.



● Piercing position
← Processing pass

Teaching example for Formed cutting