

**Coming  
Soon**

## 100kg Class Material Handling Robot Series

### Narrow Space Installation will be available

Avoid the interference by slim arm.  
Available for both of Wide Operation Range and Narrow interference.

### Reducing of Welding time

Realized Top level class performing speed.

### Easy Cooperation with External Facility

Applicable for Communication standard Application cable.  
Internal Wiring from Robot base to Shoulder.

### Suitable for Compact Welding Cell

Suitable for material handling in robotic welding cell.

FD-V80



80kgs capacity

FD-V100

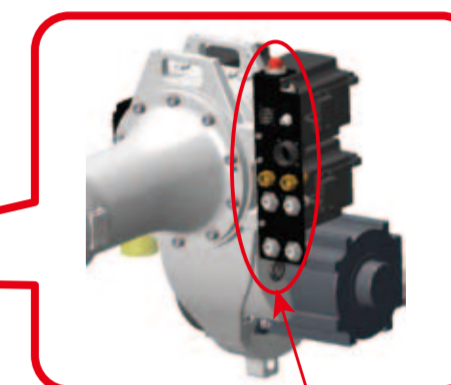


100kgs capacity

FD-V130

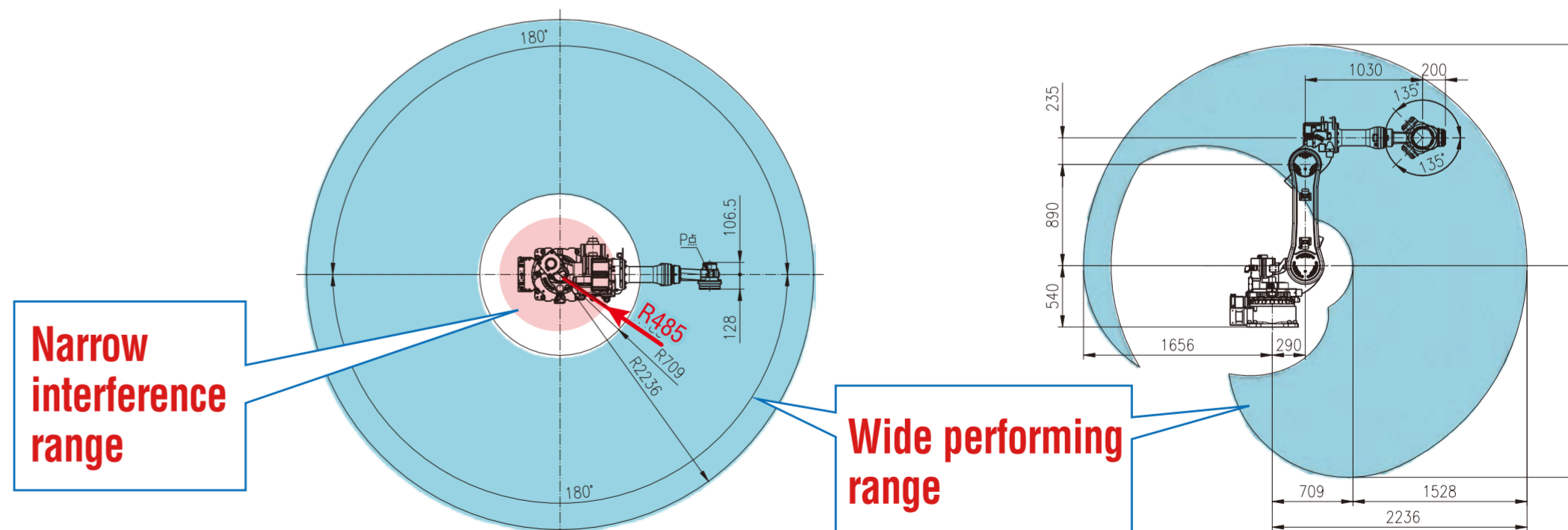
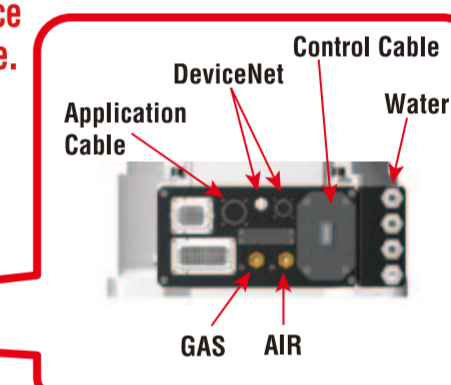


130kgs capacity



Connector Plate

Avoid the interference by slim bottom shape.



Narrow interference range

Wide performing range