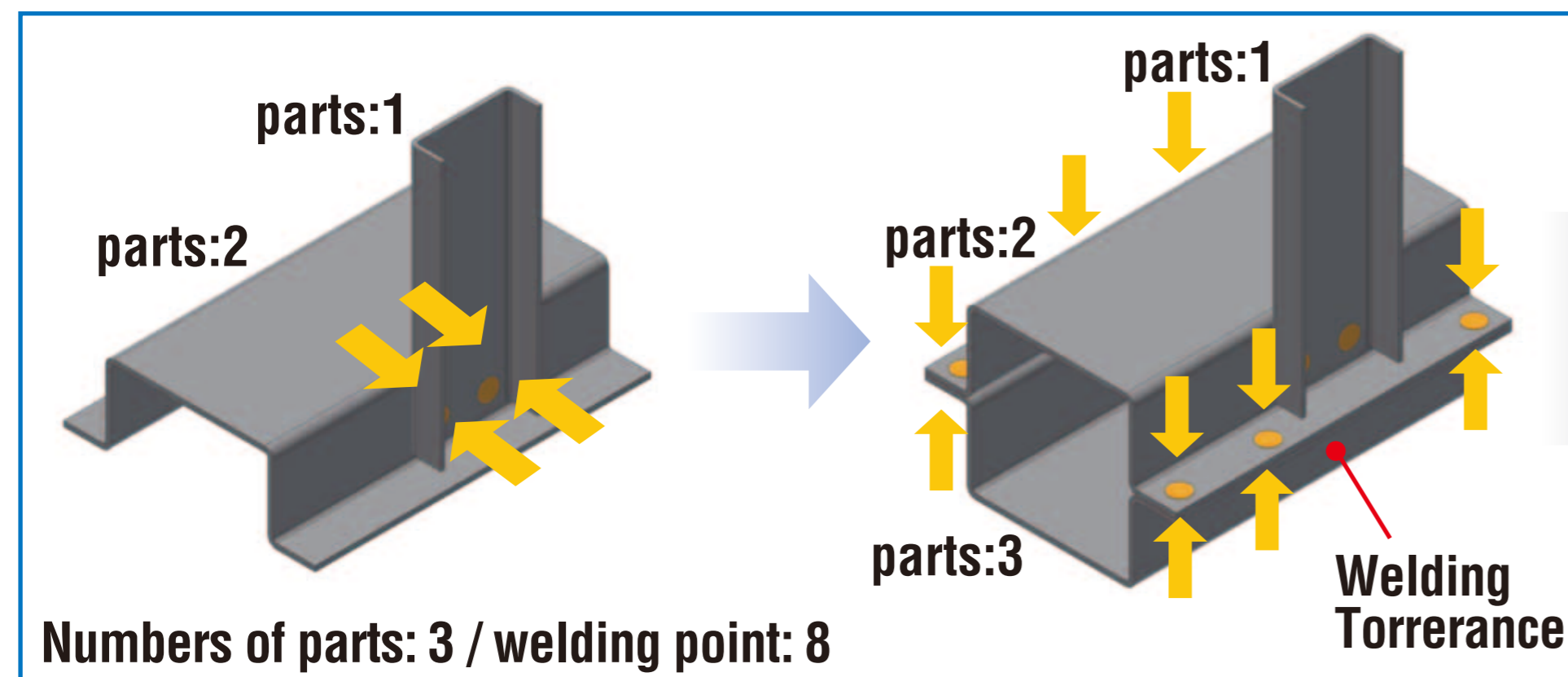


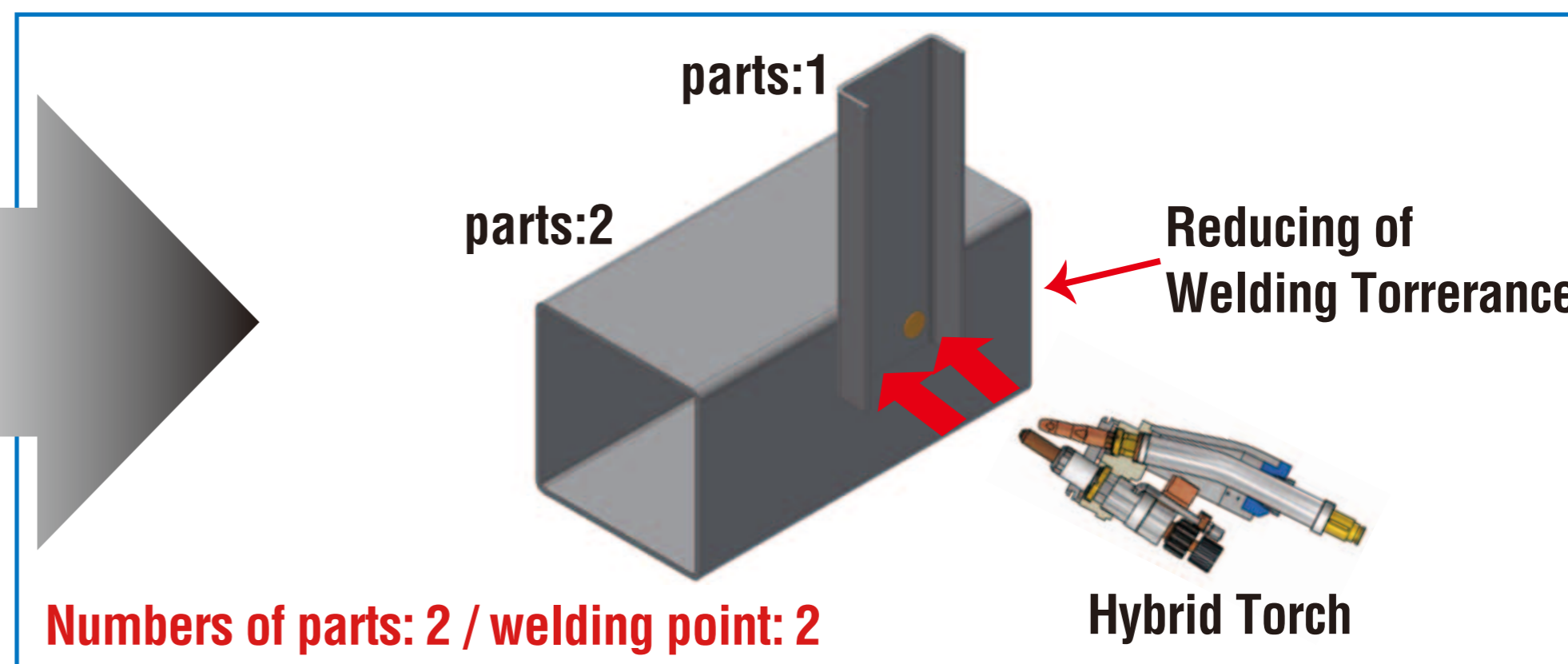
Coming  
Soon

## Plasma Hybrid Welding System

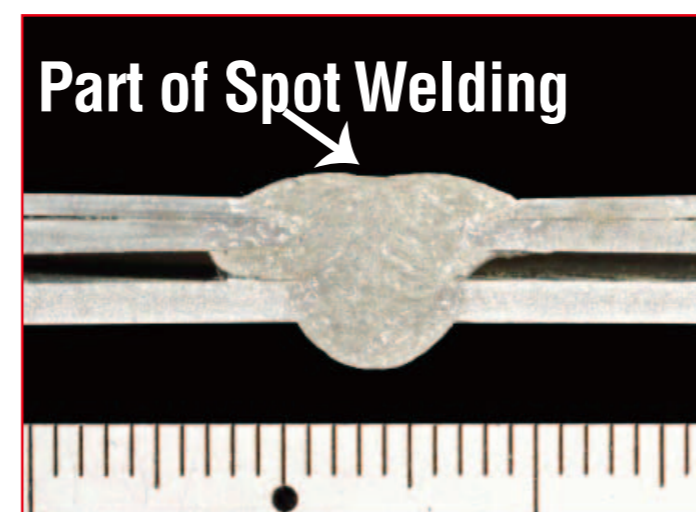
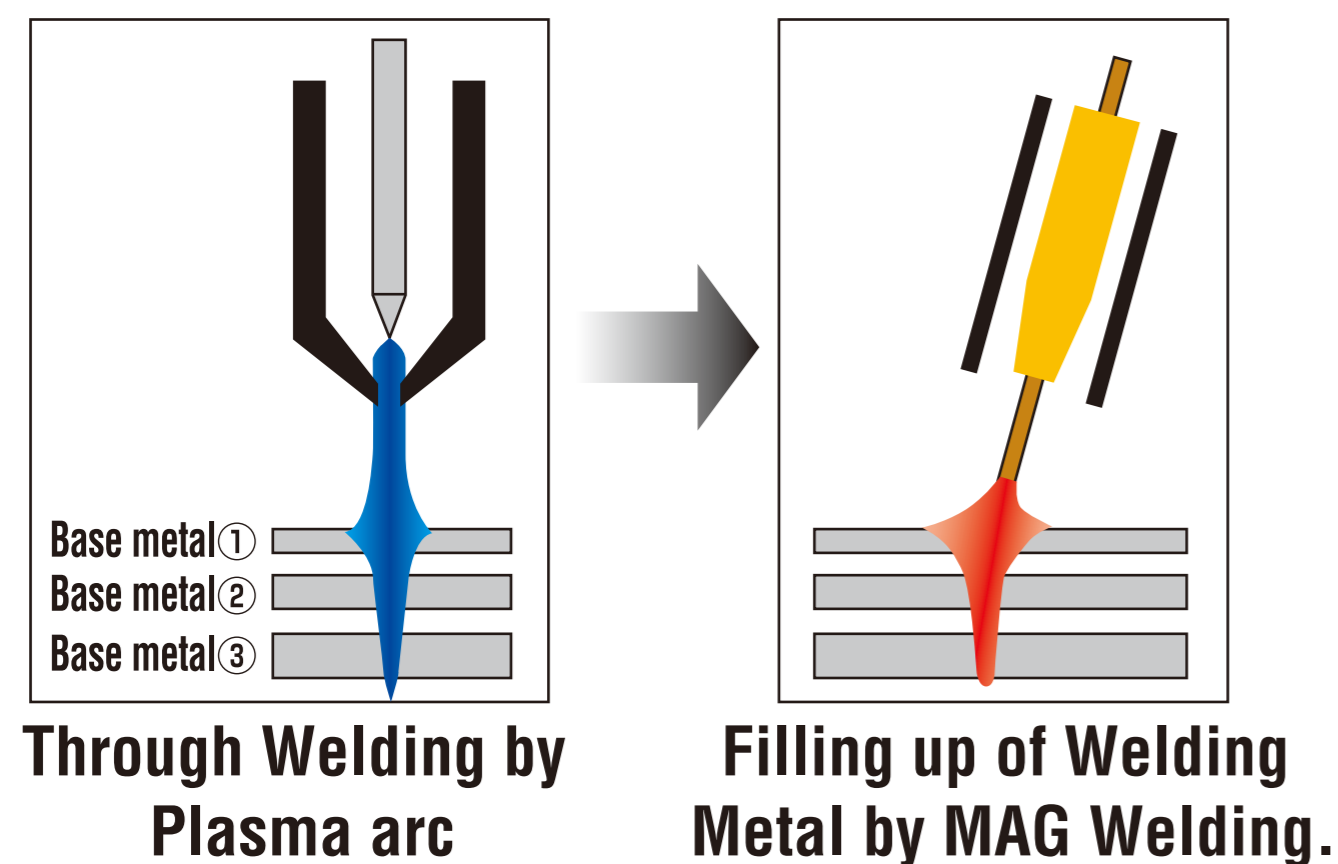
### Resistance Spot Welding



### Plasma Hybrid Welding



### Single side Welding combining Plasma Welding and MAG Welding



Realized 3 sheets Lap Welding from one side

Reducing the number of Parts and Welding Points

Applicable Field

Automobile, Agriculture equipment, furniture and etc.